



ENERG ⚡



METZ

100MQH8500Z

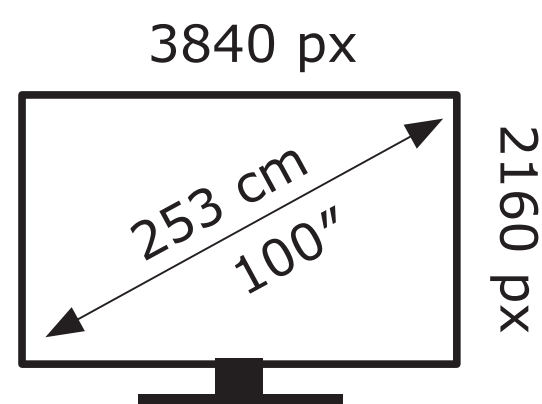


189 kWh/1000h

ABCDEF**G**



437 kWh/1000h



2019/2013